



Crosscut

Newsletter of the Witwatersrand Woodworkers' Association
PO Box 411346, Craighall, 2024, South Africa

◀ Rocking horse donated at the 2014 braai.

Secretary: Ken Mutch [ken.woodman AT gmail.com](mailto:ken.woodman@gmail.com) Editor: Trevor Pope tpepe AT iafrica.com

All written content and opinions are those of the editor, unless stated. © Copyright reserved. Go to www.wwa.org.za for back issues of *Crosscut*.

Next General Club Meeting on Wednesday, the 10th December 2014 from 18h00 at WWA clubhouse at the Living Link Hall. Quiz & Swap Meet plus Boerrie rolls.

Next Turner's monthly meeting is on Monday, the 1st December 2014 at 18h00 at the WWA clubhouse at the Living Link Hall. Demo on turning a bowl plus boerrie rolls.

No Turner's meeting in January 2015, the first Turner's meeting next year will be on the 2nd Feb 2015

Next Main club meeting will be on the 14th January 2015 – Talk on Quality Plywoods

News

November 2014 Turner's Meeting Pool cues – Ettien Viviers cancelled due a stomach bug.

Peter Middleton demonstrated turning a simple spinning top. He turns the base first, followed by the handle before parting off. The picture on the right shows the handle prior to parting off.

The picture below shows parting off, to complete the top.



Stephen demonstrated how to make a honey dipper, like the ones turned at the spring challenge.



Cro

Dries Blignaut demonstrated the use of the termite tool from Oneway (www.oneway.ca). The termite is a type of ring tool. He showed how effective it is for hollowing out end grain. Dries then finished off by demonstrating eccentric turning, by offsetting the free end of a goblet to produce a cranked stem.



Wood of the month –European Ash - *Fraxinus excelsior*. Chris van Heeswijk explained that it is one of several ash species. It is a strong, resilient wood, well suited for tool handles, sporting equipment such tennis rackets and applications requiring strength such as chairs. It has an attractive diffuse-porous grain and light colour that fits into modern décor. Greg Hirschson subsequently reminded us that ash is not suitable for outdoor use or anywhere it will be exposed to the weather, such as joinery for windows and exterior doors, as it moves and deteriorates rapidly outdoors.



November 2014 Meeting

Greg Hirschson described some developments in the architectural joinery world, specifically around type approval for doors and windows. With the promulgation of new standards for energy

efficient buildings, windows and doors have come under scrutiny. Architects are now required to specify more energy-efficient doors and windows, in addition to all the other energy saving measures. The so-called U values define how much heat is transferred through a particular assembly per unit area. Lower U values are better – meaning less heat is transferred per unit area of an item such as a window. This means that the present designs are being forced to evolve. Windows now have seals, double glazed glass and are type tested to confirm actual performance. Traditional wooden windows and doors can still be used as well as more modern aluminium and UPVC frames, but the designs have been updated.

Presently the requirements are being applied to new buildings, but Greg expects that they will be required for existing buildings in future. He is concerned about the effects of increased costs on the lower end of the housing market.

Greg also described some of the challenges he encounters making wooden windows out of different woods that customers specify in place of the old standby of Meranti.

Club Notices

Annual Braai – Toys for Charity Fundraiser. The venue for the **Toys for Charity Fundraiser** is the SA Guide Dogs Association at 126 Wroxham Road, off Witkoppen Road (turn into Wroxham Road at the Porsche Centre) **29th November 2014. Members should arrive at 11h30 to start at 12h00, helpers at 10h00, please.**

Please remember to bring either a salad or pudding, as you indicated on your booking form. Don't forget plates, cutlery and drinking glasses as required.

Members are reminded that the **Toys for Charity Fundraiser** is our Social Responsibility commitment for the year and members are requested to make a minimum of 10 toys for donation to the Westview Clinic. Last year we made over 1400 toys for donation to crèches. Even if you are unable to attend the braai, you can bring your toys to the next meetings in December.

Regular Events:

Toymakers. The toymakers meet on the first and third Mondays of every month, at 09h00 till 12h00 at the new clubhouse. Contact Eddie Marchio on 011-678-8062 or [rm22 AT mweb.co.za](mailto:rm22@mweb.co.za) for more information. **There are no meetings in December 2014 and the toymakers will resume on the Monday 2nd Feb 2015.**

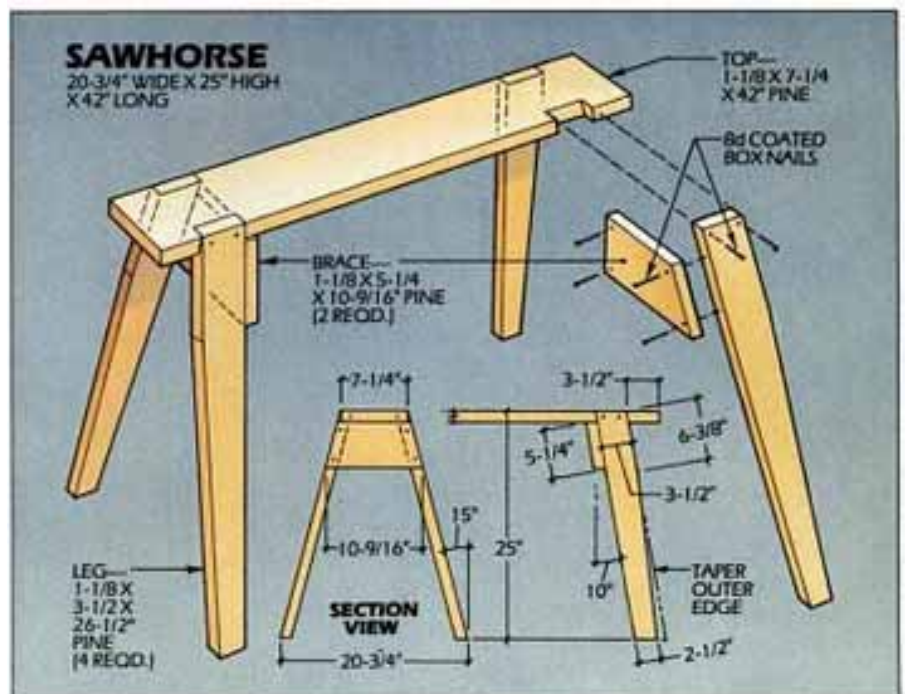
Wednesday Workshop. The Wednesday evening workshops are on the first and third Wednesdays of every month at the new clubhouse, from 18h00 till 20h00. Contact Grant Mackay on 082-391-9769 or [mackay.grant AT gmail.com](mailto:mackay.grant@gmail.com) or [gmackay AT worldonline.co.za](mailto:gmackay@worldonline.co.za) for more information. **The last meeting for 2014 will be on the 3rd Dec and the workshops will resume on the 21st Jan 2015.**

Saturday Workshop. Ken Bullivant holds a Saturday workshop at his house in Boksburg. The location is 13 Franklin Avenue, Comet, Boksburg on the first Saturday of the month from 09:00 to 12:00. They decide on an annual project and work throughout the year making it. Individual projects are discussed and problems solved. Ken also offers private lessons too. Contact Ken on 082 809 0020 if you wish to take part.

Saturday Turning workshop. Schalk van Niekerk conducts Saturday morning turning workshops at his premises in Germiston. (At the old East-African Timbers site) Membership is R400- per year, R30- per meeting. He can accommodate up to 12 people in a session with the lathes he has available for teaching. They meet on the 2nd and 3rd Saturdays of the month from 8h00 to 12h00. Contact Schalk on 082 443 4972 or schalk@onegoodturn.co.za or Johan Kramer on 083 251 0183.

More Saw-horses and trestles.

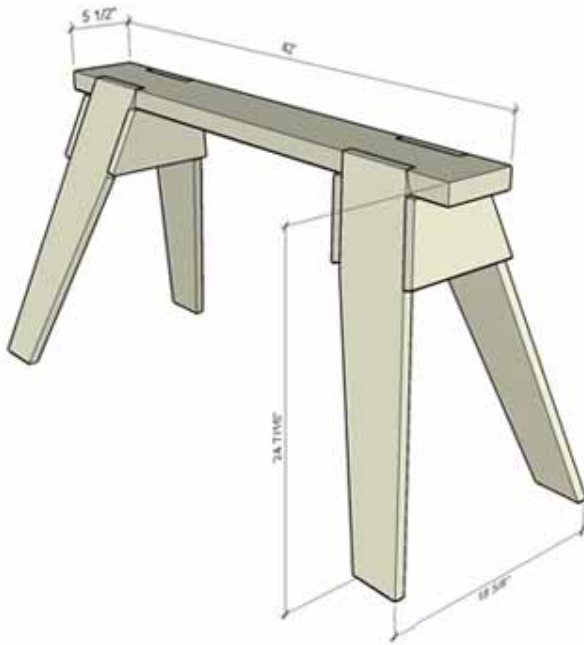
Here is one from Popular Mechanics: This is made from 5/4 Pine (32mm thick) and glued and nailed according to the instructions at the link below. They have the advantage that they are stackable and the tops are well proportioned so that work pieces can be clamped to them.



<http://books.google.co.za/books?id=uuMDAAAAMBAJ&pg=PA64>

Here is another, similar to the one from Fine Woodworking magazine #189:

<http://www.finewoodworking.com/workshop/article/build-a-classic-sawhorse.aspx>



Here is knock-down unit that looks really sturdy:
<http://www.toolcrib.com/blog/2009/09/the-ultimate-knock-down-sawhorse-plan-the-richard>

